

COATS®

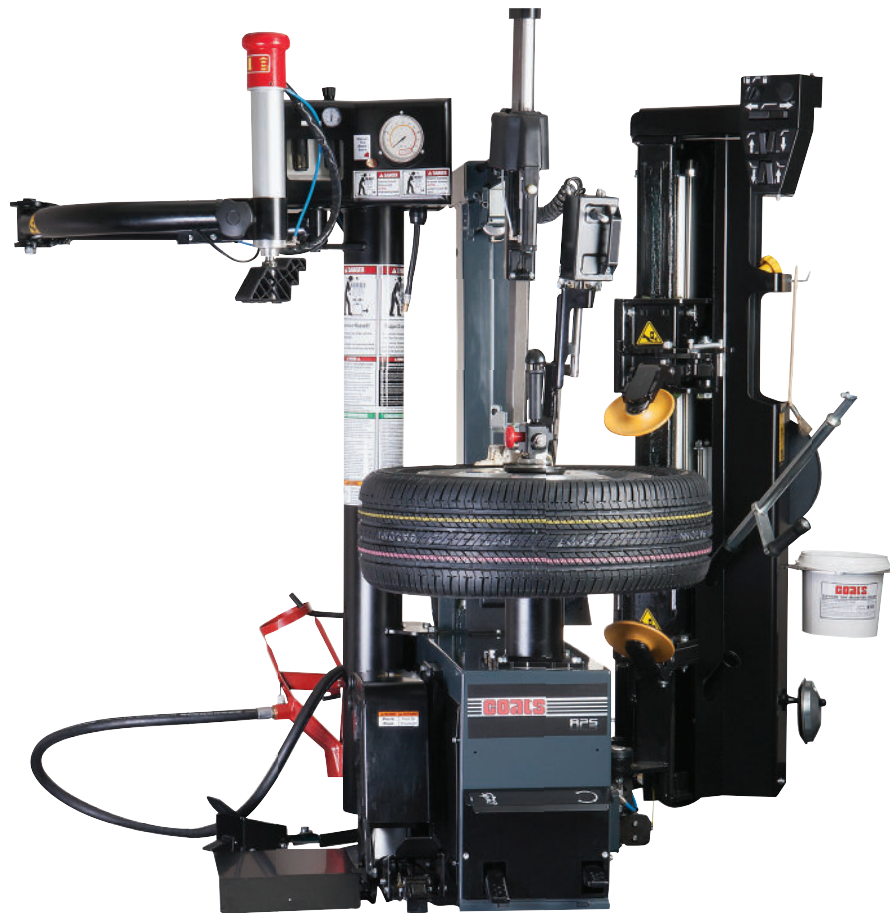
APS 3000

Center Post Tire Changer

For servicing single piece automotive and most tubeless light truck tire/wheel assemblies.

Any other type, including tube type and agricultural, require special handling.

Tires identified as truck tires need to adhere to OSHA standard 1910.177.



Parts Identification

READ these instructions before placing unit in service. KEEP these and other materials delivered with the unit in a binder near the machine for ease of reference by supervisors and operators.

HENNESSY
INDUSTRIES

1601 J. P. Hennessy Drive, LaVergne, TN USA 37086 615/641-7533 800/688/6359 www.coatsgarage.com
HENNESSY INDUSTRIES INC. Manufacturer of AMMCO®, COATS® and BADA® Automotive Service Equipment and Tools.

Manual Part No.: 85610911 02
Revision: 02/19

Parts Identification

The following pages include parts breakdowns with exploded view illustrations to help with ordering replacement or spare kits. Assemblies are noted where it is recommended that individual parts not be ordered separately. Note that the parts view illustrations are for multiple models and not all parts shown are on all models. Every effort is made to supply accurate exploded views, however, due to interim changes in manufacturing operations, some units may not be exactly as illustrated.

Table of Contents

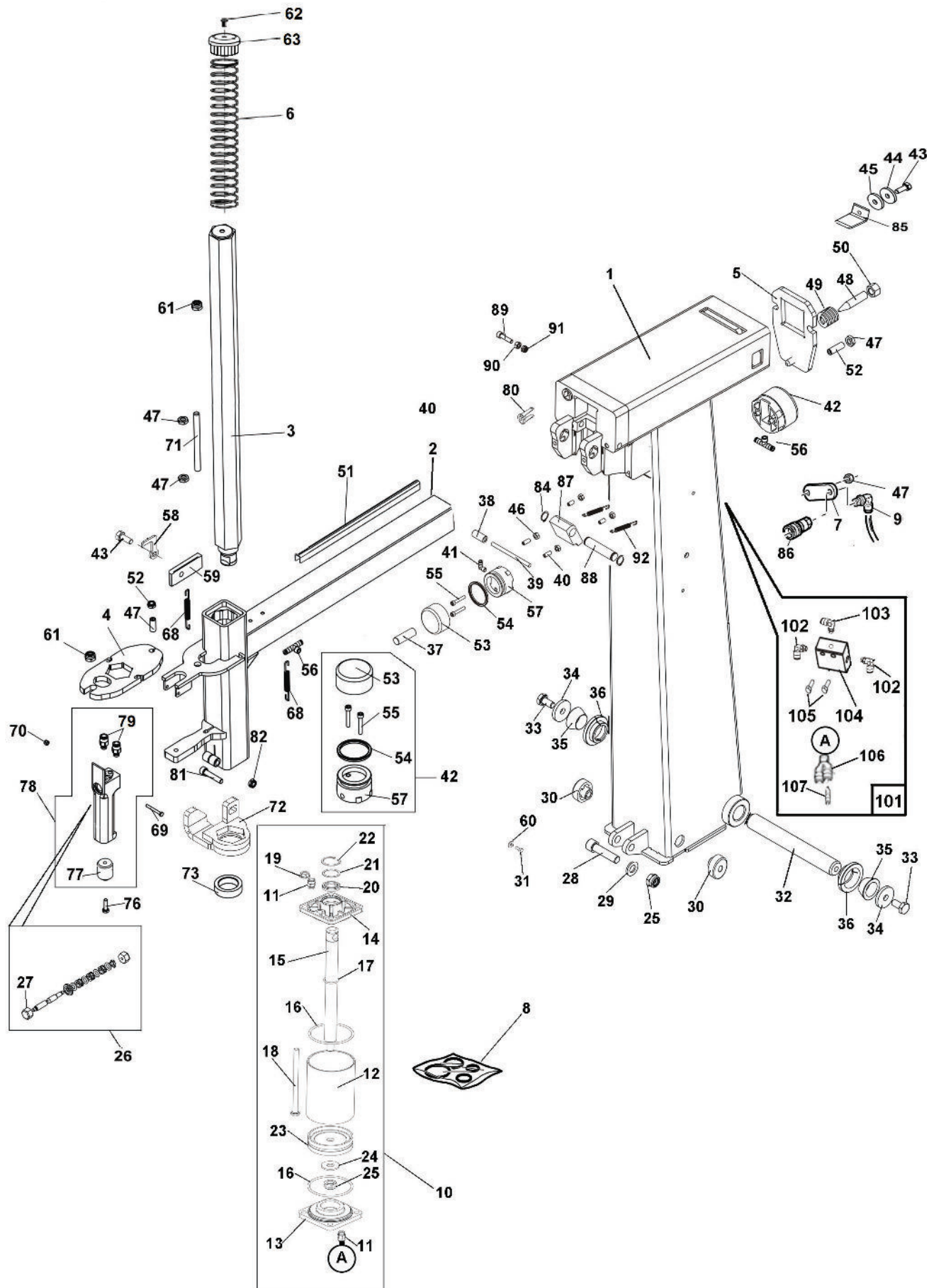
Parts Identification	2
Chassis System.....	4
Tilt Tower Assembly	6
Leverless Bead Lifter (original).....	8
Leverless Bead Lifter	
(New Design 89243318)	10
Bead Loosener Lever.....	12
Bead Loosener Assembly	14
Disc Assembly.....	18
Robo Arm Assembly.....	20
Pedal Assembly.....	22
Wheel Lift Assembly.....	24
Center Post Assembly	26
Motor Assembly	28
Control Panel Assembly	30
Inflation Pedal Assembly	32
Filter Lubricator Assembly.....	34
Inflation Barrel Assembly.....	36
Bead Depressor Arm Assembly.....	38
Accessories.....	40

Chassis System

Item	Part No.	Description
1	87019318	SIDE PANEL
2	88640854	COMPLETE FRAME
3	83012450	ARM FRONT COVER
4	83019970	MIRROR
5	83019745	MIRROR SUPPORT
6	84398723	SCREW 6x12
7	84399998	WASHER D. 6
8	84393749	KNURLED SCREW TCEI M 6x20
9	87041366	PEDAL COVER
10	84399300	SCREW 6x12
11	88640901	RIGHT SIDE PANEL
13	84395109	SCREW 12x190
14	84399829	WASHER 8
15	84398862	NUT M8
16	84399827	SCREW 8x20
17	84296213	SHOCK-ABSORBER M8
18	83019914	SPACER
19	84399967	NUT M10
20	84399786	SCREW 10x30
21	84399865	SELF-LOCKING NUT M12
22	84399829	WASHER 8
23	84399946	SCREW 8x16
24	83002099	PLASTIC FOOT
25	84399900	SELF-LOCKING NUT M8
26	83019921	MIRROR SUPPORT BRACKET
27	84398637	WASHER D. 12
28	84398662	GROWER WASHER D.10
29	83040099	PIN
30	84399963	NUT
31	88640900	RIGHT COVER
32	84399828	WASHER

When ordering **always** specify the **serial number** shown on the data plate placed on the machine. Please also **always** specify the **reference** and the **code** number of the spares you required.

Tilt Tower Assembly

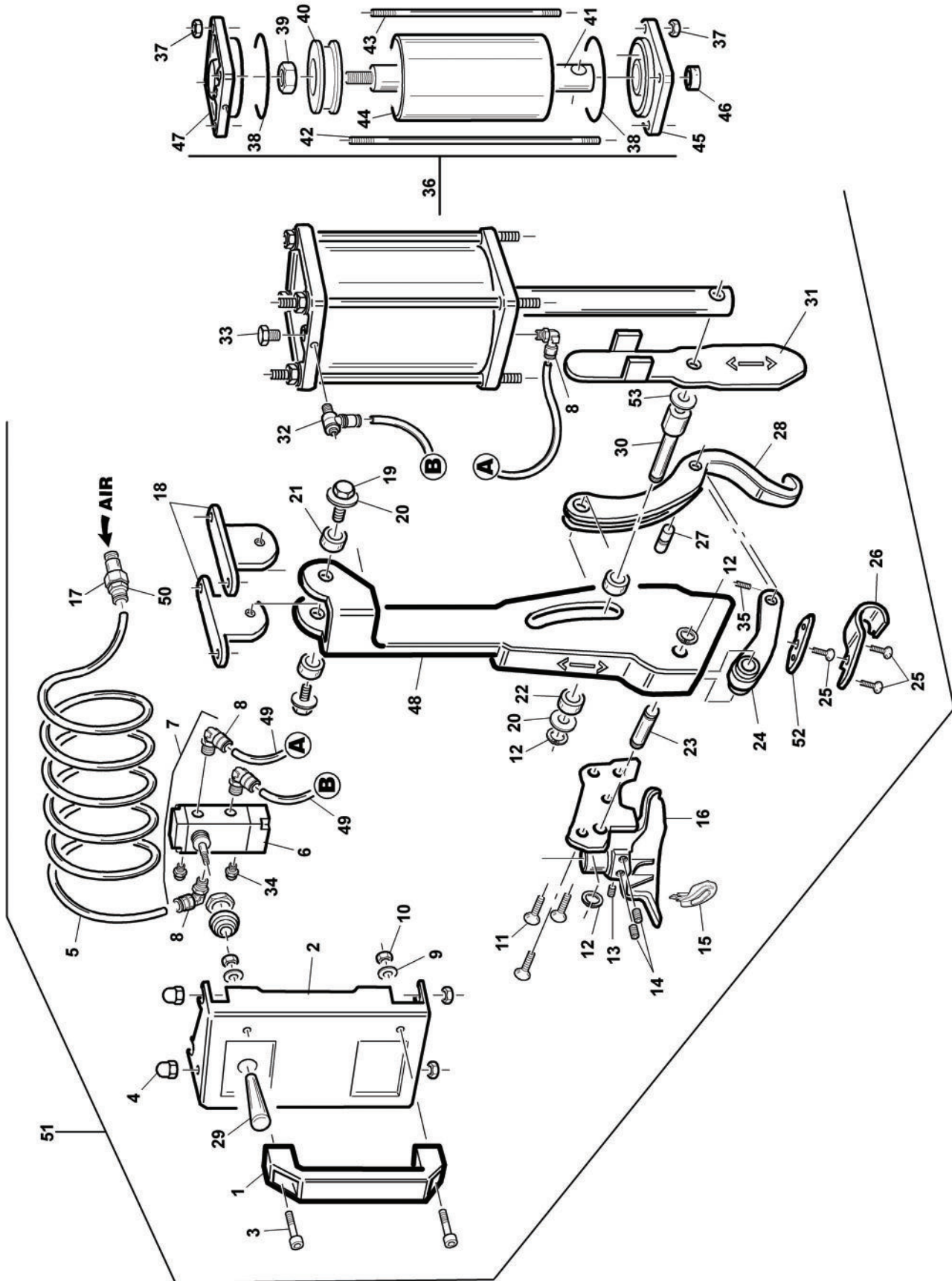


Tilt Tower Assembly

Item	Part No.	Description
1	88640866	VERTICAL ARM
2	87039045	HORIZONTAL ARM
3	83008889	ARM
4	83017071	ARM LOCKING PLATE
5	83015676	ARM LOCKING PLATE
6	83043202	SPRING
7	83019607	PLATE
8	82004804	CYLINDER SEAL D.75
9	84198618	UNION 1/8"
10	82019556	TILTING CYLINDER
11	84198954	QUICK UNION 1/8"
12	83008084	CYLINDER LINER L=135
13	83015023	FLANGE
14	83015024	FLANGE
15	83002624	CYLINDER ROD L=309
16	84298822	O-RING D.68,26x3,53
17	84299168	O-RING 20,29x2,62
18	83008085	SPECIAL SCREW M8x160
19	84397678	FLANGED NUT M8
20	83199601	SCRAPER
21	84398146	STEEL SHIM 24x30x1
22	83199599	SEEGER RING D.30
23	84198856	PISTON D.75
24	84398753	WASHER D.12,5x30x3
25	84399865	SELF-LOCKING NUT M12
26	82008336	ARM CONTROL SPARES
27	83012721	CAP
28	83000599	PIN M12 L=50
29	84399981	WASHER 12 (13x24x2,5)
30	83014633	ARM SPACER
32	83015981	PIN
33	84399966	SCREW 10x20
34	83000495	WASHER 10x36x5
35	83015750	INTERNAL WASHER
36	83015751	EXTERNAL WASHER
37	83040871	PIN
38	83038370	ROLLER
39	84392622	PIN
40	84392621	SCREW 8x20
41	84197741	UNION 1/8"
42	82099665	LOCKING CYLINDER
43	84399827	SCREW 8x20
44	84399947	WASHER 8 (9x32x4)
45	83000181	WASHER
46	84399976	NUT
47	84399967	NUT M10
48	83015677	SCREW M12X60
49	84294966	SPRING
50	84398805	NUT M12
51	83039793	GUIDE
52	84393862	SCREW 10X40
53	84299524	CYLINDER LINER D.60
54	84299522	SEALING RING

Item	Part No.	Description
55	84399135	SCREW 6x35
56	84197740	QUICK UNION 1/8"
57	84299523	PISTON D.60
58	83038470	HOSE PLATE
59	83007935	SHOCK ABSORBER
61	84399971	SELF-LOCKING NUT M10
62	84399134	SCREW, 8MM X 30,GR 8.8
63	83001759	KNOB-ARM,OPRTNG,APS
65	84298812	SEALING RING 8,4x16x6,2
66	83002629	SPRING 13,5x28 F 2,3
67	84197718	UNION
68	83002273	SPRING
69	84399896	SCREW 4x35
70	84399895	SELF-LOCKING NUT M4
71	83012459	THREADED BAR M10 L=123
72	82137677	ADDITIONAL BEAD DEPRESSOR SUPP.BRACKET
73	83002601	MOUNTING TOOL SHOCK ABSO
74	84398897	SCREW 5x20
75	84399292	WASHER 5 (5,3x10x1)
76	84399892	SCREW 6x20
77	83013355	HANDLE INSERT
78	82012461	ROBOT CONTROL
79	84197743	UNION
80	83038518	GUIDE SUPPORT
81	84399133	SCREW 8x40
82	84399900	SELF-LOCKING NUT M8
83	83038470	MOUNTING PLATE PIPE AIR H.
84	84399975	SEEGER RING D.20
85	83038782	BACKSTOP
86	84194089	QUICK UNION 1/8 F
87	83036335	LOCKING PLATE
88	83036205	PIN
89	84399999	SCREW 6x25
90	84399889	NUT
91	84399893	NUT
92	83035641	SPRING
101	82041497	AUTOMATIC BLOCK
102	84197210	UNION
103	84197741	UNION
104	84196136	VALVE
105	84399897	VALVE
106	84197193	UNION
107	84193434	UNION

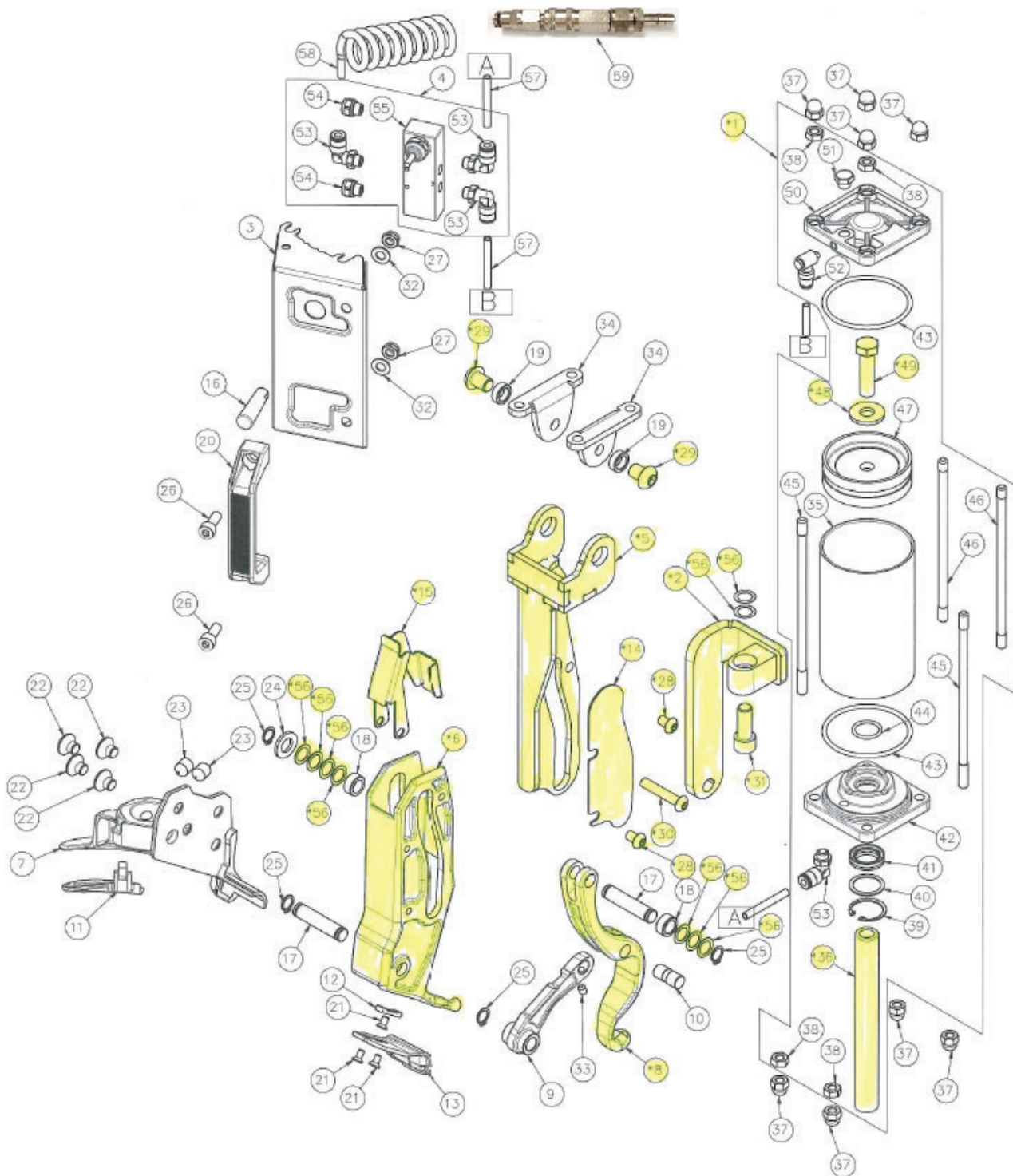
Leverless Bead Lifter (original)



Leverless Bead Lifter (original)

Item	Part No.	Description
1	84297851	HANDLE
2	87019215	VALVE BOX
3	84399954	SCREW 8x20
4	84395374	NUT M8
5	83030571	POLYUR. SPIRAL HOES 6x4 L=1500
6	84198285	5-WAY VALVE
7	82006996	VALVE
8	84198618	UNION 1/8"
9	84399829	WASHER 8 (8,4x16x1,5)
10	84399900	SELF-LOCKING NUT M8
11	84393957	SCREWSPEI 10X12
12	84399864	SEEGER RING D.12
13	84398179	SCREW STEI 12x12
14	84398426	SCREW STEI 12x16
15	83019305NE	BACK SLIDE
16	83019198	TOUCHLESS MOUNTING TOOL
17	84194088	QUICK UNION
18	83019202	CONNECTION PLATE
19	84399434	SCREW 12x20
20	84398637	WASHER D.12x21x2,5
21	83017334	BUSH 12/18/8,2
22	83017302	FERRULE 12/18/6,5
23	83019212	TOOL PIN
24	83019214	CONNECTING ROD
25	84393956	SCREWSPEI 5X6
26	83033278NE	TOOL FRONT SLIDE
27	83019210	PIN
28	83019213	TOUCHLESSTOOL
29	83010284	KNOB D.14X45 M5
30	83019211	CYLINDER PIN
31	83019561	SUPPORT PLATE
32	84194004	UNION MR 41 6 M6 (90°-GIR)
33	84199161	PLUG 1/8"
34	84199610	SILENCER 1/8"
35	84399957	SCREW 6x8
36	82031707	CYLINDER UNIT
37	84399976	NUT M8
38	84298822	O-RING D.68,26x3,53
39	84399865	SELF-LOCKING NUT M12
40	84198856	PISTON D.75
41	83031708	CYLINDER SHAFT
42	83019208	SPECIAL SCREW 8X1,25X180
43	83019204	SPECIAL SCREWTE M8X1,25X164
44	83031709	CYLINDER LINER L=129,5
45	83015024	FLANGE
46	83199601	SCRAPER
47	83019467	BACK FLANGE D.75 S.O. HOLE M6
48	87019199	TOOL HOLDER
49	83019959	ELASTOLAN HOSE 6x6 L=240
50	84198993	QUICK UNION 1/8"
51	89243318	472/09 KIT QX
52	83031595	THREADEDTAB
53	84396878	STEEL SHIM 12x25x0,5

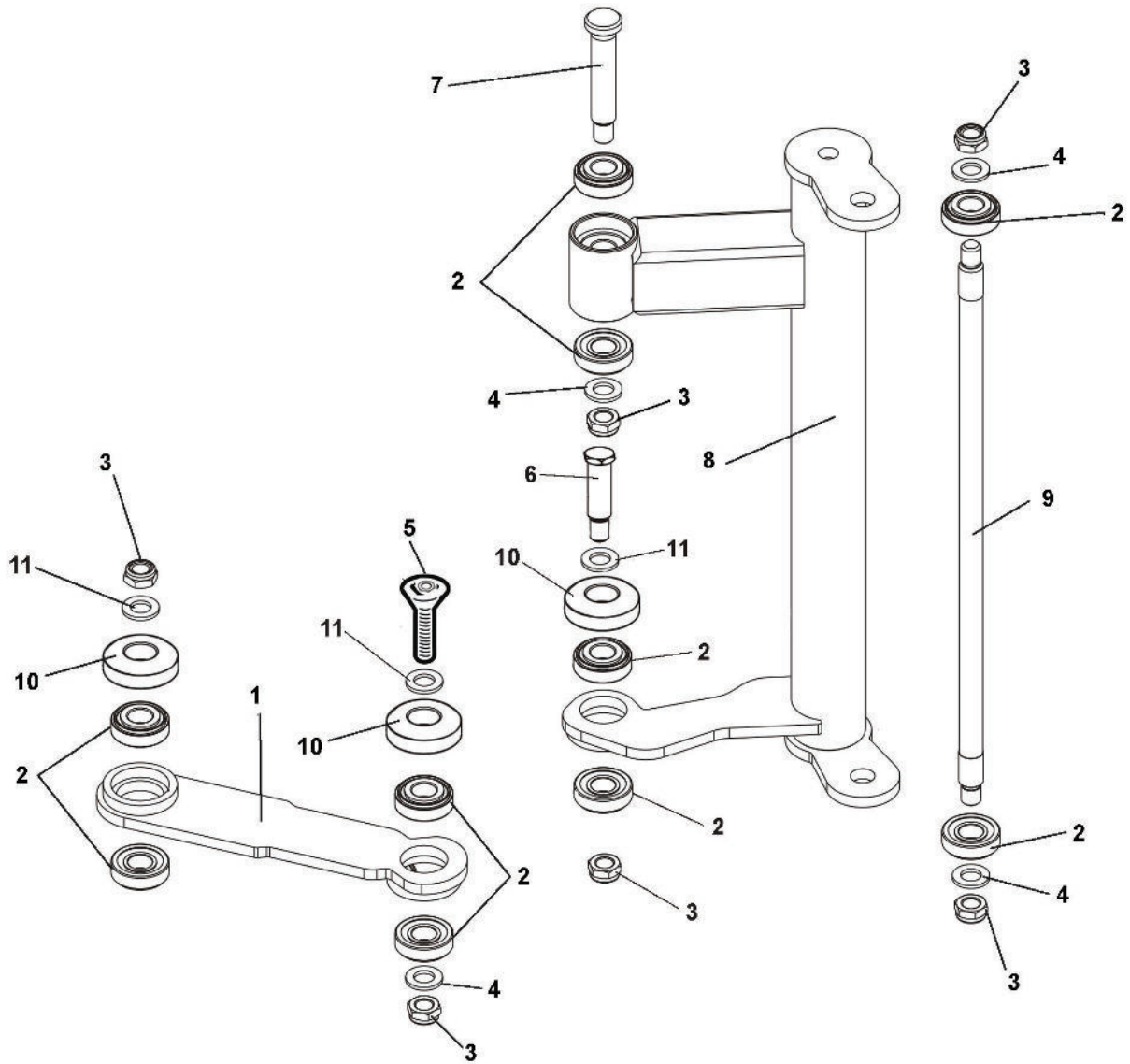
Leverless Bead Lifter (New Design 89243318)



Leverless Bead Lifter (New Design 89243318)

Item	Part No.	Description	Item	Part No.	Description
1	82043317	Cylinder Unit	30	84392352	Screw, 8x45
2	82141393	Cylinder Return	31	84397504	Screw, 12x30
3	87019215	Valve Box	32	84399829	Washer 8
4	82006996	Valve	33	84399957	Screw, 6x8
5	87041400	Tool Attack	34	83019202	Connecting Plate
6	83038546	Universal Tool Box	35	83031709	Cylinder Liner 129.5
7	83033830	Touchless Mounting Tool	36	83041399	Cylinder Shaft
8	83033743	Milled Tool	37	84395374	Nut M8
9	583019214	Connecting Rod	38	84399976	Nut M8
10	83019212	Pin	39	83199599	Seeger Ring D30
11	83019305NE	Back Slide	40	84398146	Steel Shim 24x30x1
12	83031595	Threaded Tab	41	83199601	Scraper Ring
13	83033278NE	Tool Front Side Coats	42	83015024	Flange
14	83041397	Protection	43	84298822	O-Ring D.68.26.3.53
15	83041396	QX Protection	44	84299168	O-Ring D.20.29x2.62
16	83010284	Knob D.14x45 M5	45	83019208	Special Screw Stud L=180
17	83019210	Connecting Rod Pin	46	83019204	Special Screw Stud L=164
18	83017301	Bushing 12/18/6.5	47	84198856	Piston D.75
19	83017334	Bushing 12/18/8.2	48	84398753	Washer D.12.5x30x3
20	84297851	Handle	49	84399431	Screw 12x45
21	84393753	Screw, TSPEI 5x6	50	83019467	Back Flange D.75
22	84393957	Screw, TSPEI 10x12	51	84199161	Plug 1/8"
23	84393346	Screw, STEI 3/8"-16 L=5/8"	52	84194004	Union M41 x M6 (90°)
24	84399981	Washer 12 (13x24x2.5)	53	84198618	Union 1/8"
25	84399864	Seeger Ring D12	54	84199610	Silencer 1/8"
26	94399954	Screw, 8x20	55	84198285	Valve, 5-Way
27	84399900	Self-Locking Nut M8	56	84392350	Steel Spacer
28	94392351	Screw, 8x12	57	83019959	Rubber Hose 6x4 L=240
29	84392353	Screw, 12x16	58	83030571	Nylon Tube 6x4 L=1500
			59	82034990	Connector, Quick

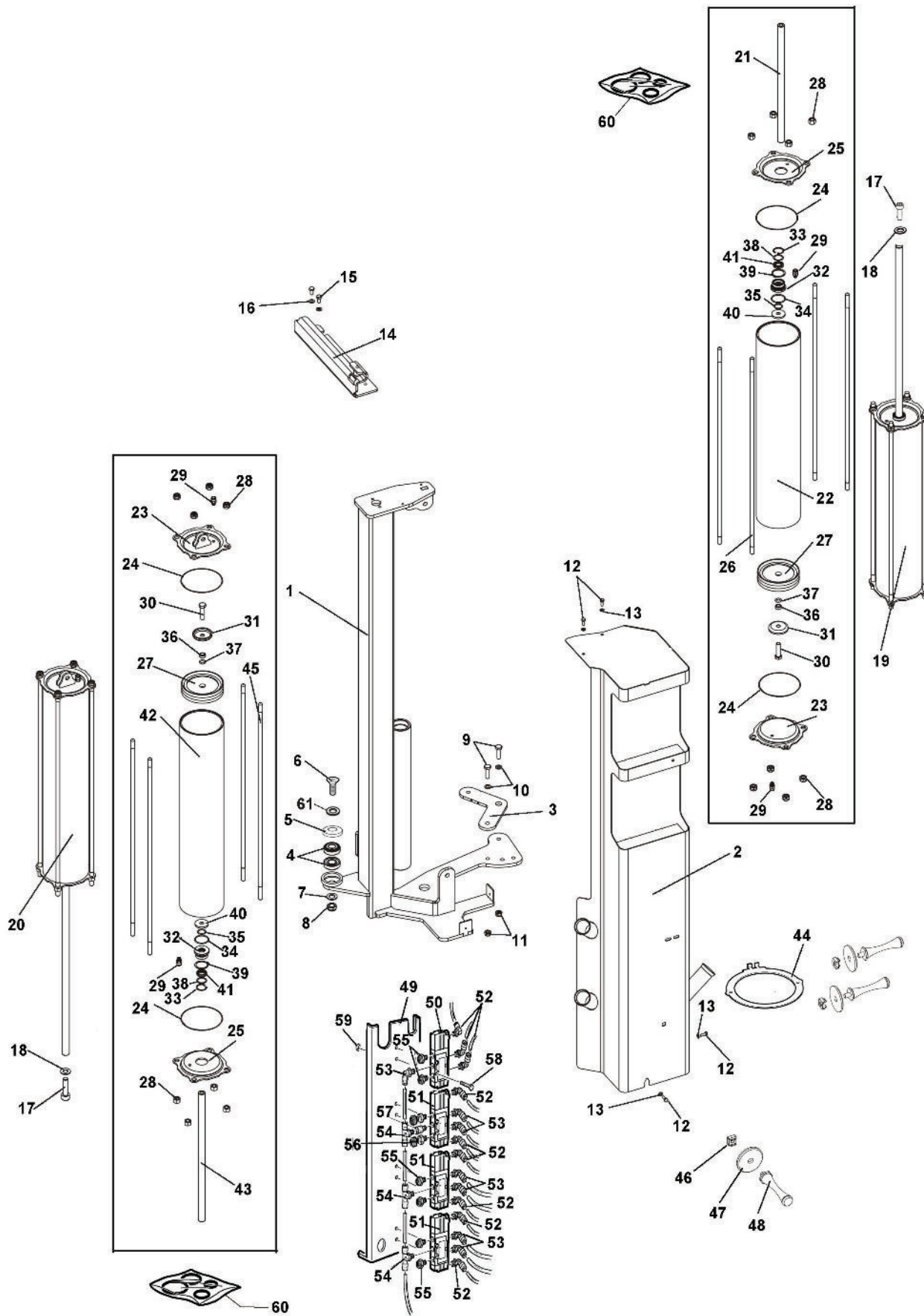
Bead Loosener Lever



Bead Loosener Lever

Item	Part No.	Description
1	87040979	BEAD LOOSENER LEVER
2	84296944	BEARING
3	84399963	NUT
4	84395014	WASHER
5	84397615	SCREW M12X25
6	83040284	PIN
7	83040099	PIN
8	87040970	JOINT
9	83040849	PIN
10	83032521	BEARING DOME
11	83035056	WASHER

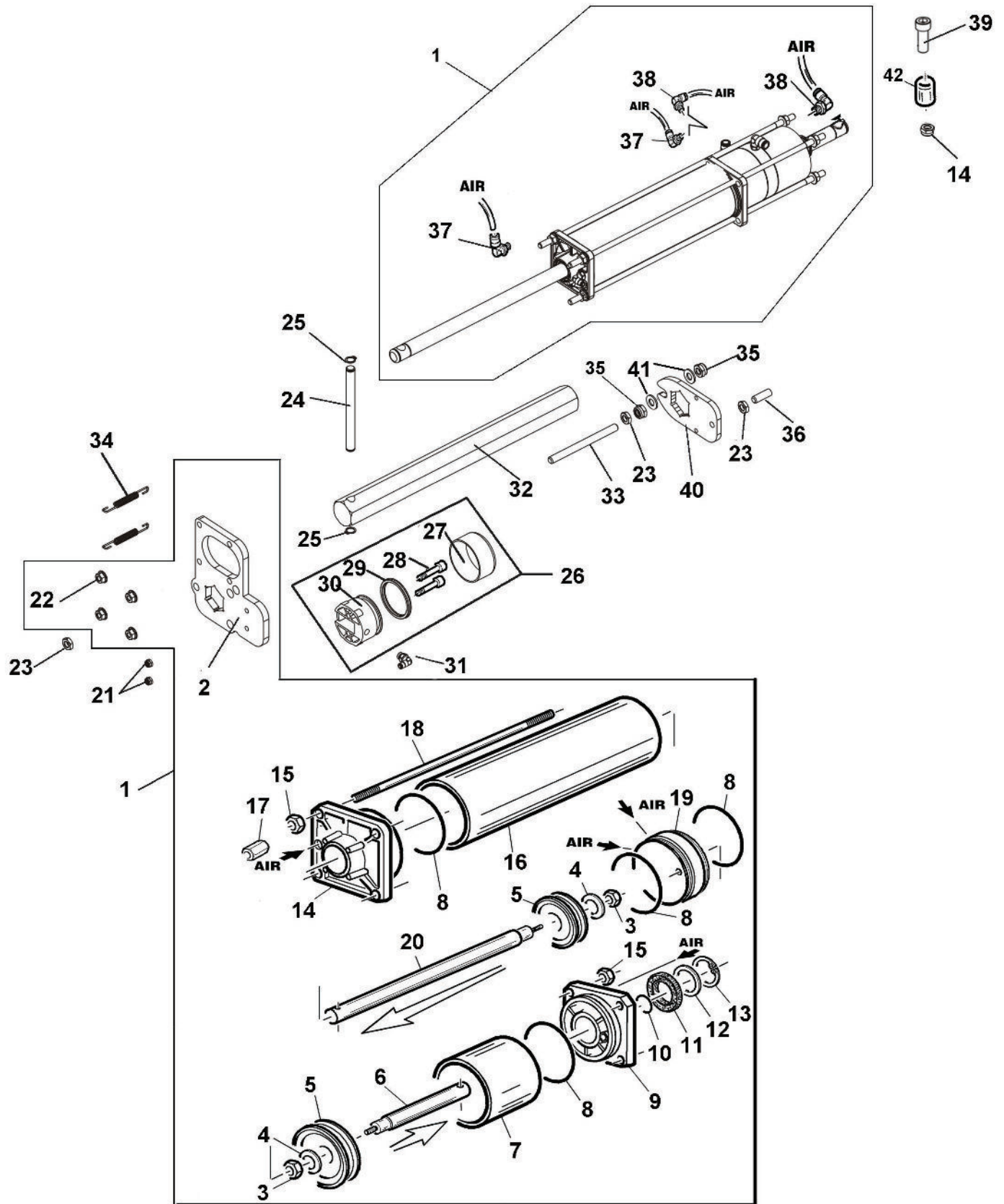
Bead Loosener Assembly



Bead Loosener Assembly

Item	Part No.	Description
1	87040836	BEAD BREAKER ARM
2	87040928	TOOL TRAY
3	83040946	ROD
4	84296944	BEARING
5	83032521	BEARING DOME
6	84397615	SCREW 12X25
7	84395014	WASHER
8	84399963	WASHER
9	84399951	SCREW 10X35
10	84398633	WASHER
11	84399971	NUT
12	84399998	WASHER
13	84398708	SCREW 6x16
14	87040966	CONSOLLE SUPPORT
15	84399946	SCREW 8x16
16	84399829	WASHER
17	84397504	SCREW 12x30
18	84399981	WASHER
19	82032885	CYLINDER
20	82040974	CYLINDER
21	83032887	CYLINDER SHAFT D.20 L=615
22	83032886	UPPER CYLINDER LINER D.125 L=597,5
23	82119448	CYLINDER BACK FLANGE D.125
24	84294722	O-RING 3475 120,32x2,62
25	83017341	CYLINDER FLANGE D.125
26	83032964	CYLINDER TIE ROD
27	84294724	PISTON TDUOP D.125
28	84399865	SELF-LOCKING NUT M12
29	84198954	QUICK UNION 6512 1/8" -8 S.R.
30	84399431	SCREW 12x45
31	83017344	SPACER FOR PISTON
32	83017346	SEALS BUSH
33	83199599	SEGER RING D.30
34	84299168	O-RING 20,29x2,62
35	84299168	O-RING 20,29x2,62
36	83017365	BUSH
37	84297691	O-RING D.12,29x3,53
38	84398146	STEEL SHIM 24x30x1
39	84394721	SEGER RING D.36 7435
40	83017364	WASHER
41	83199601	SCRAPER RING
42	83040975	CYLINDER LINER
43	83040976	LINER
44	83035873	GREASE HOLDING RING
45	83040977	CYLINDER TIE ROD
46	84394168	NUT
47	83040636	DISC
48	83036383	PIN
49	83032855	VALVE HOLDER PLATE
50	84193997	VALVE VP 1/8"
51	84193998	VALVE VP 1/8"
52	84197210	UNION 1/8"
53	84196214	UNION 1/8"
54	84196909	QUICK UNION 1/8" -8
55	84199610	SILENCER 1/8"
56	84199843	SILENCER OUTLET REG. 1/8"
57	84198921	STUD BOLT 1/8" H=16
58	84399898	SCREW 4x30
59	84396106	NUT M4
60	82037953	KIT OF CYLINDER SEALINGS
61	83035056	WASHER

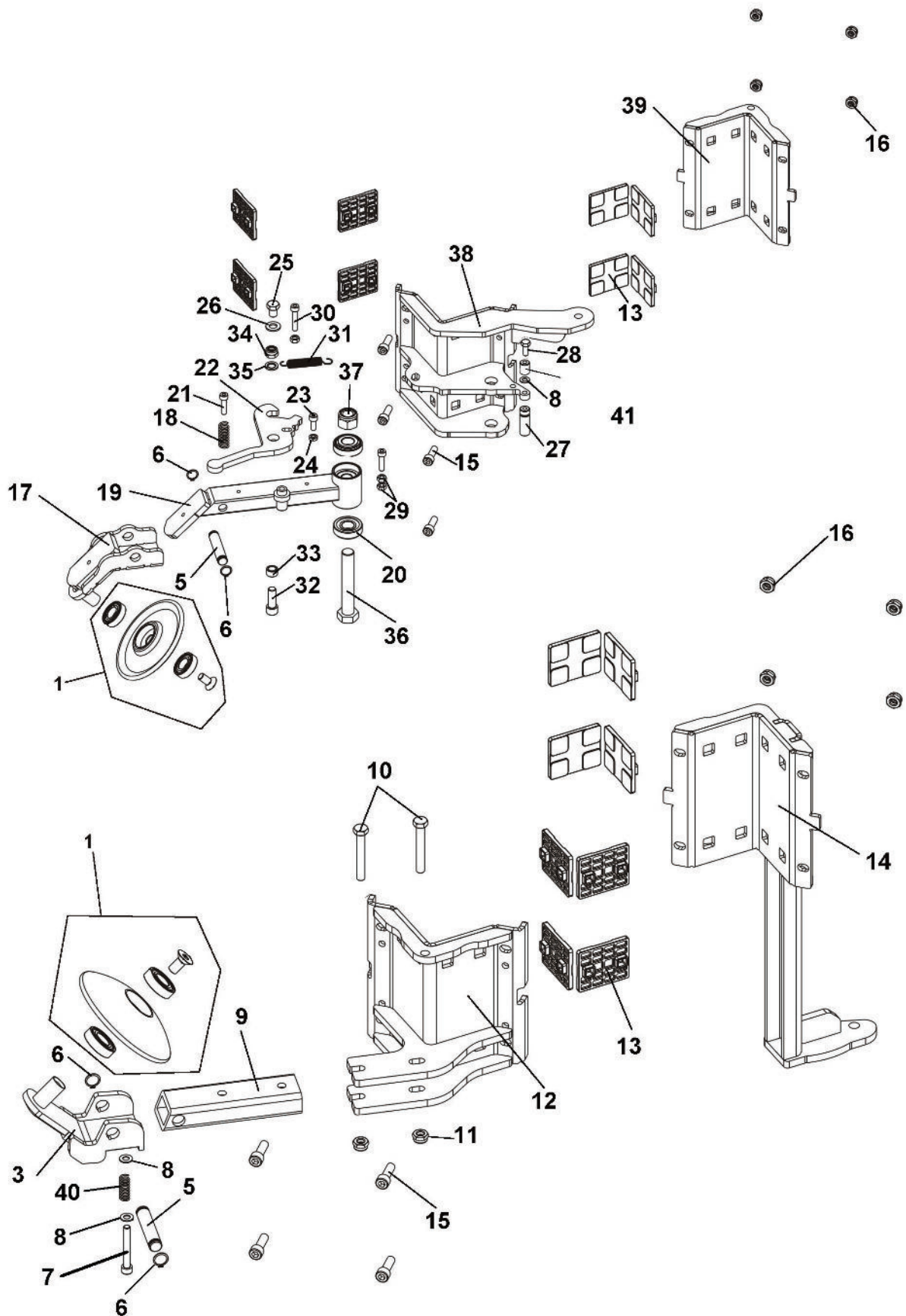
Bead Loosener Assembly



Bead Loosener Assembly

Item	Part No.	Description
1	82040981	CYLINDER
2	83019360	CYLINDER SUPPORT PLATE
3	84399865	NUT
4	84398753	WASHER
5	84198856	PISTON D.75
6	83019404	SHORT CYLINDER ROD
7	83019403	SHORT CYLINDER LINDER D.75
8	84298822	O-RING D.68,26x3,53
9	83015024	FLANGE
10	84299168	O-RING 20,29x2,62
11	83199601	SCRAPER RING
12	84398146	STEEL SHIM 24x30x1
13	83199599	SEEGER RING D.30
14	84399865	NUT
15	84399976	NUT
16	83019405	LONG CYLINDER LINER D.75
17	84198921	STUD BOLT 1/8" H=16
18	83019412	SPECIAL SCREW
19	83019402	CYLINDER FLANGE
20	83019406	LONG CYLINDER ROD
21	84399889	NUT
22	84397678	NUT
23	84399967	NUT
24	83028107	PIN
25	84399864	SEEGER RING D.12
26	82042737	LOCKING CYLINDER
27	84299524	CYLINDER LINER
28	84392956	SCREW 6x50
29	84299522	SEALING RING
30	84299523	PISTON D.60
31	84197210	UNION 1/8"
32	83040850	EXAGONAL ARM
33	83012459	THREADED BAR M10 L=123
34	83002273	SPRING
35	84399971	NUT
36	84398284	SCREW 10x30
37	84196214	UNION 6520 1/8"
38	84197210	UNION 1/8"
39	83000599	PIN
40	83019398	LOCKING PLATE
41	83002205	WASHER D.10,5x21x2
42	83006880	SPACER

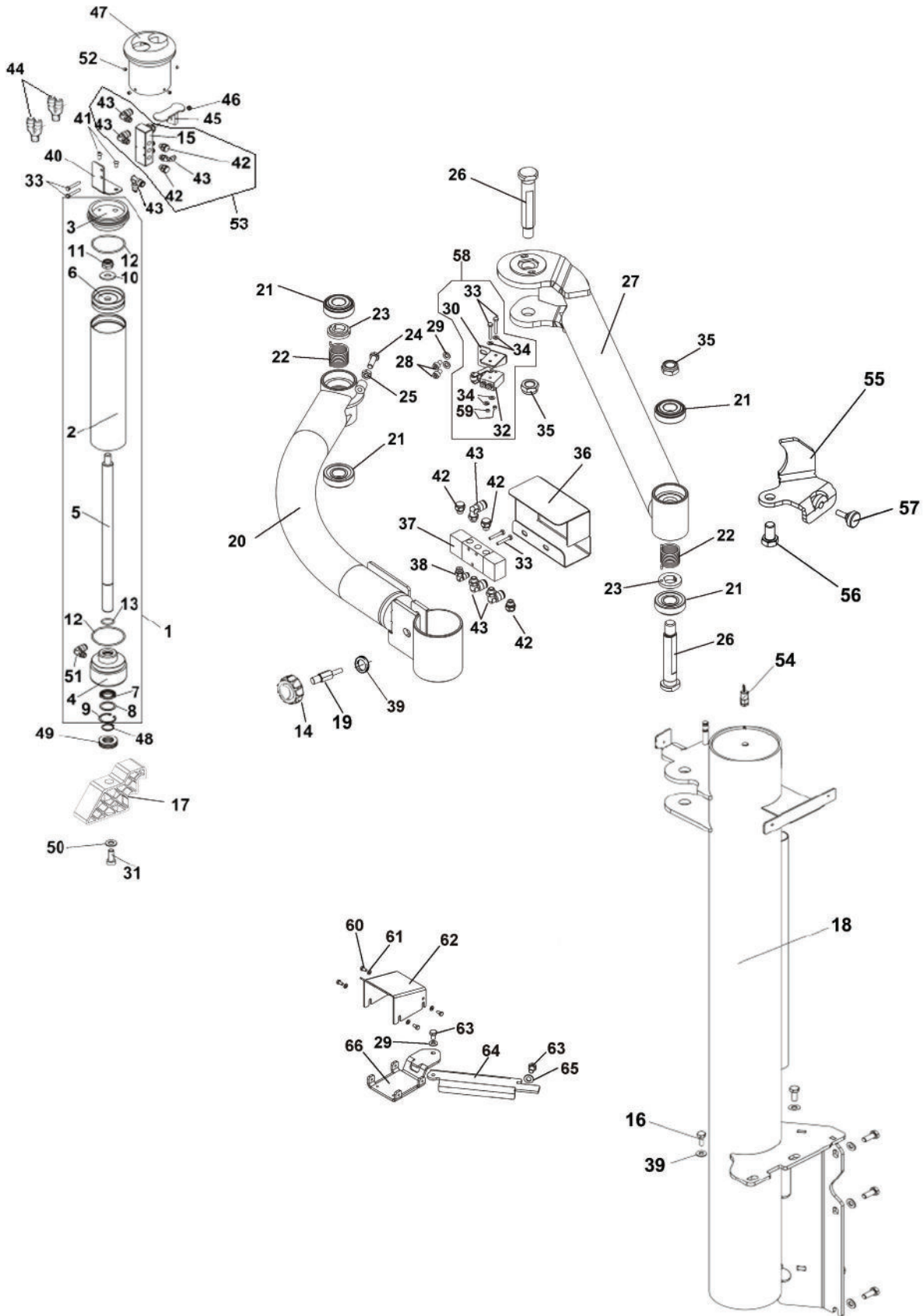
Disc Assembly



Disc Assembly

Item	Part No.	Description
1	82041627	DISC UNIT COMPLETE
3	87040123	LEVER
5	83034335	PIN
6	84398686	SEEGER RING D.16
7	84396598	SCREW 8x60
8	84399829	WASHER
9	87040957	LOWER BEAD BREAKER
10	84392231	SCREW 10x70
11	84399971	SELF-LOCKING NUT M10
12	87040950	LOWER EXTERNAL CARRIAGE
13	83019627	SLIDING BLOCK
14	87040952	LOWER INTERNAL CARRIAGE
15	84393900	SCREW TCEI 10x30 8.8 ZNT
16	84399971	NUT
17	87034196	CONNECTING LEVER
18	84293385	SPRING
19	87036379	UPPER BEAD BREAKER
20	84296944	BEARING
21	84399134	SCREW 8x30
22	87037151	HOOK
23	84399954	SCREW 8x20
24	84398862	NUT
25	84398635	SCREW 12x16
26	84399981	WASHER
27	83034898	PIN
28	84399827	SCREW 8x20
29	84399976	NUT
30	84399133	SCREW 8x40
31	83030115	RETURN SPRING
32	84399943	SCREW 12x35
33	83000108	CONNECTING ROD SPACER 12x18x11,5
34	84399865	NUT
35	84398609	GROWER WASHER D.12
36	84393899	PIN
37	84398536	NUT
38	87040947	UPPER BEAD BREAKER CARRIAGE
39	87034092	INTERNAL BEAD BREAKER CARRIAGE
40	83008030	SPRING 17x32
41	83001592	SPACER D.10X14X9

Robo Arm Assembly

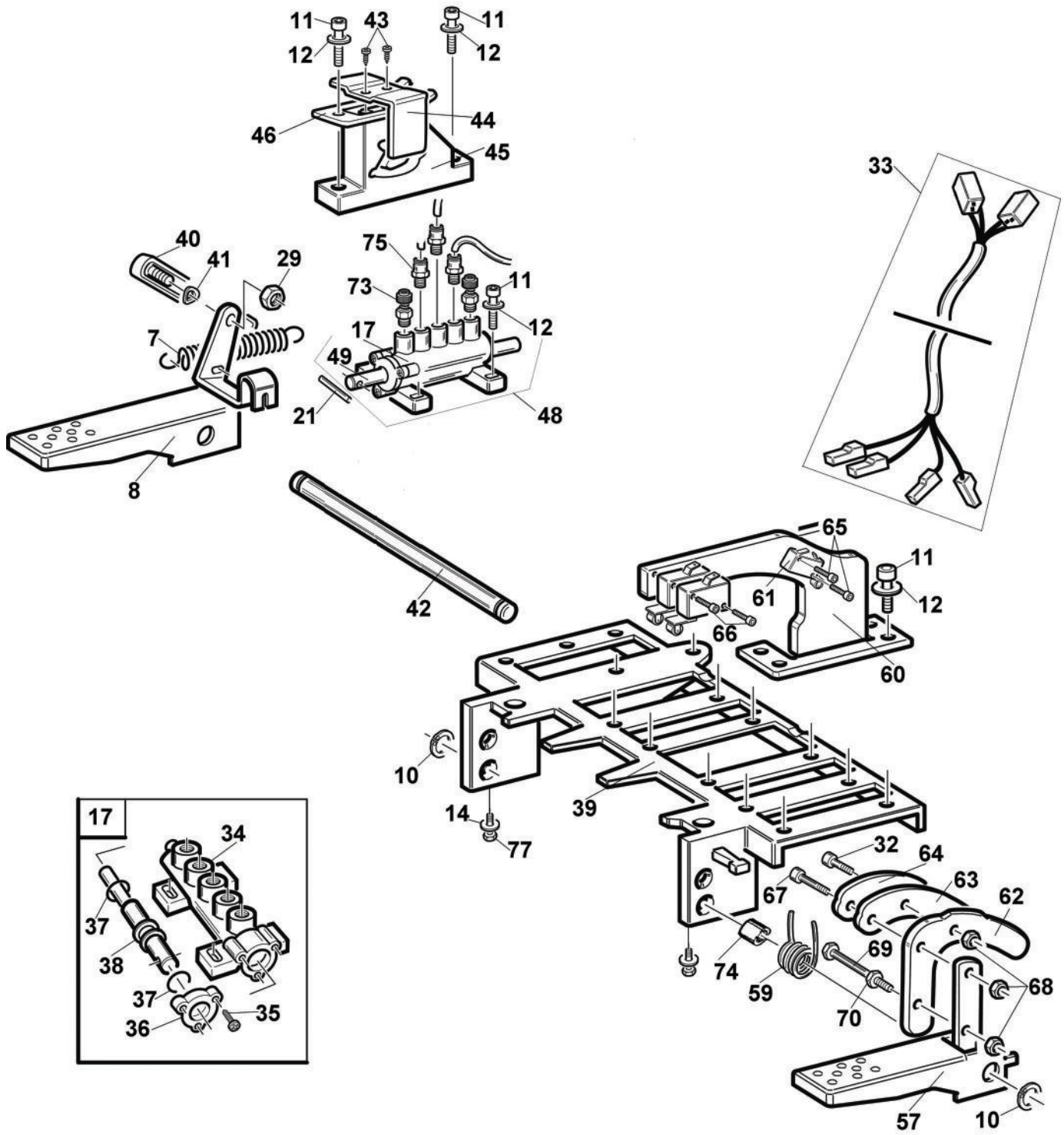


Robo Arm Assembly

Item	Part No.	Description
1	82040746	CYLINDER UNIT
2	83037635	CYLINDER LINER
3	83040688	KNOB MIDDLE FLANGE
4	83040737	CYLINDER HEAD
5	83037640	CYLINDER SHAFT
6	84192898	PISTON
7	83199601	SCRAPER RING
8	84398146	STEEL SHIM 24x30x1
9	83199599	SEEGER RING D.30
10	84398753	WASHER D.12,5x30x3
11	84399865	SELF-LOCKING NUT M12
12	83199589	O-RING 59,99x2,62
13	84299168	O-RING 20,29x2,62
14	84297485	BALL GRIP THF D.80 M16
15	84198285	5-WAY VALVE
16	84399786	SCREW 10x30
17	83008404	BEAD-PRESSING TOOL
18	87040872	PRESS ARM GUN WELDED ARM
19	83041361	CYLINDER KNOB FASTENING PIN
20	87042014	BP1 PLUS CURVE ARM
21	84296944	BEARING
22	83041940	TORSION SPRING WITH THREAD D2.5
23	83042012	SPRING ANTI-ROTATION PIECE
24	84399901	SCREW 8x30
25	84398862	NUT M8
26	83042013	PIN WITH ANTIROTATION PIECE
27	86642020	BP1 PLUS ARM - STRAIGHT
28	84399300	SCREW 6x12
29	84399998	WASHER 6 (6,4x12x1,6)
30	83042019	VALVE SUPPORT
31	84393901	SCREW TCEI M10x25 8.8 ZNT 5931
32	84192238	PNEUMATIC VALVE 234-955
33	84396382	SCREW TE 3x25 8.8 ZNT 5931
34	84399292	WASHER 5 (5,3x10x1)
35	84399963	SELF-LOCKING NUT M16
36	87042018	COPERCHIO VALVOLA VERN
37	84193998	VALVE VP 1/8" 22 6 PN RC CC P
38	84197210	UNION 1/8"
39	84399378	WASHER D.10 (10,5x21x2)
40	83040539	KNOB VALVE BRACKET
41	84399300	SCREW 6x12
42	84199610	SILENCER 1/8"
43	84198618	UNION 1/8"
44	84195034	Y-UNION 6560 PIPE D.6
45	82140540	WELDED BUTTON
46	84398987	SELF-LOCKING NUT M5- LOW.6S. 7474
47	86240536	CYLINDER KNOB
48	84399975	SEEGER RING D.20
49	84294301	AXIAL BALL BEARING D.20
50	84399813	WASHER 20 (21x37x3)
51	84198618	UNION 1/8"
52	84397013	SCREW STEI 6x5 5923
53	82040740	PA PLUS VALVE UNIT

Item	Part No.	Description
54	84198703	SAFETY VALVE 1/4"
55	87042167	LEVER STOP PIECE
56	84399434	SCREW 12x20
57	84296552	PLUG D.20
58	82042746	VALVE
59	84399127	NUT M3
60	84398723	SCREW 6x12
61	84399998	WASHER 6
62	87039143	INFLATION PEDAL PROTECTION
63	84399953	SCREW 10x16
64	87041375	INFLATION PEDAL CONNECTION PLATE
65	84399378	WASHER D.10
66	87041386	INFLATION PEDAL SUPPORT BRACKET

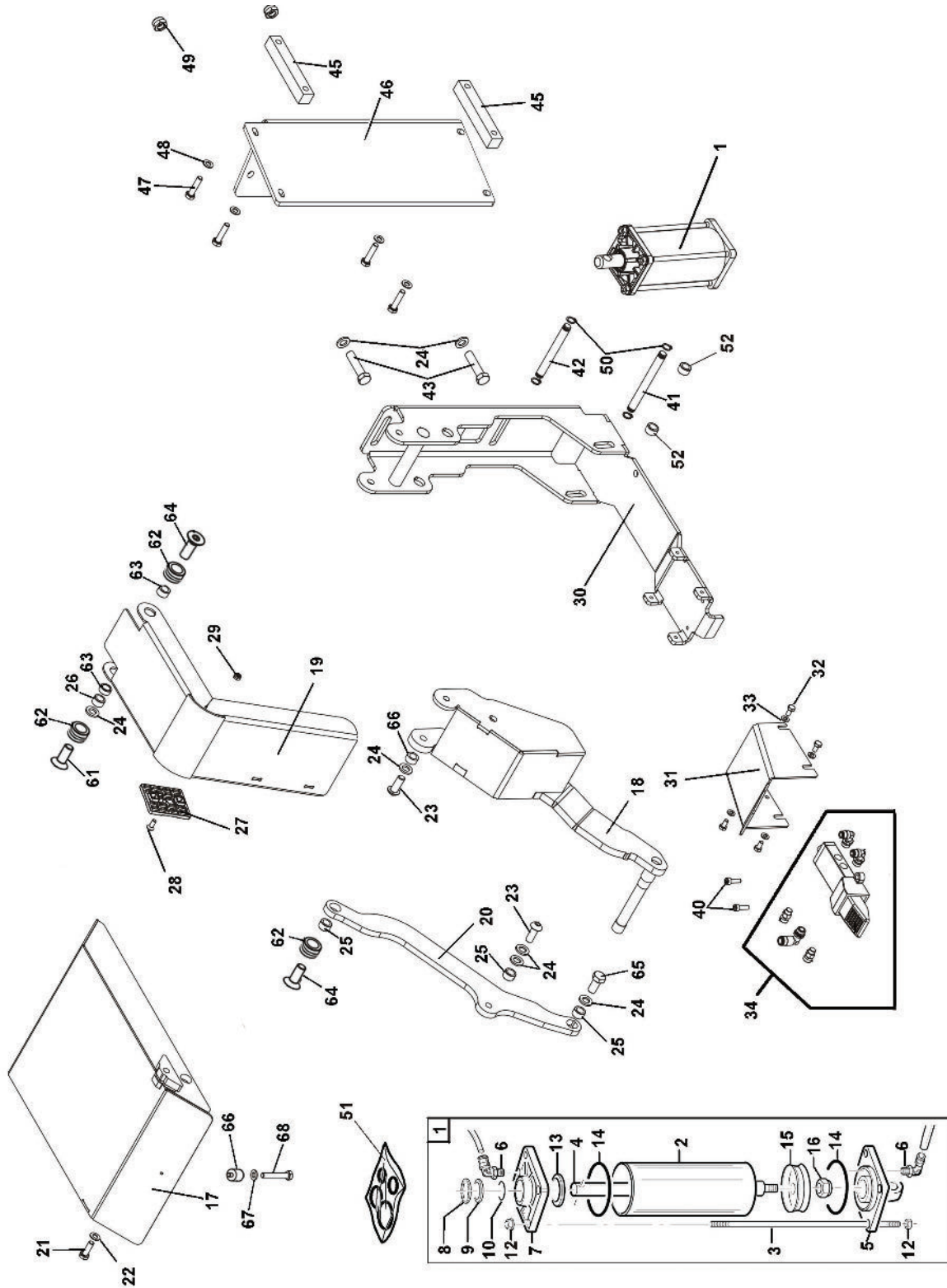
Pedal Assembly



Pedal Assembly

Item	Part No.	Description
7	83018802	PEDAL RETURN SPRING
8	87033745	CLAMPS CONTROL PEDAL
9	83031104	PEDAL UNIT PIN
10	84399864	SEEGER RING D.12
11	84398274	SELF-TAPPING SCREW 5,5x26
12	84399998	WASHER
13	84399935	SCREW 8X25
14	84399829	WASHER
15	84399122	TOOTHED WASHER 8,4x15x0,8
16	84399976	NUT M8
17	82002444	VALVE UNIT WITHOUT PIN
18	83019466	GT VALVE PIN
19	84199161	PLUG 1/8"
20	84196214	UNION 1/8"
21	84398783	ELASTIC PIN D.4x24
27	84399300	SCREW 6x12
28	84398415	SCREW 8x50
29	84399900	SELF-LOCKING NUT M8
31	83007598	VALVE ROD
32	84399999	SCREW 6x25
33	82037840	SIGNAL CABLE - CROSSAGE
34	83001583	DISTRIBUTION VALVE
35	84398999	SELF-TAPPING SCREW 3,5x13
36	83001585	FLANGE
37	84299000	O-RING 9,8x3,85
38	83001584	SPACER
39	83040945	PEDAL BOX BASE
40	84299912	CONNECTING ROD
41	84399894	BELLEVILLE WASHER 8,2x18x1
42	83003094	PIN
43	84399891	SELF-TAPPING SCREW 2,9x6,5
44	84299910	U BOLT
45	84299913	DOUBLE CAM
46	84299911	LEAF SPRING
48	82019557	VALVE
49	83002442	VALVE PIN
57	82134188	PEDAL FOR INVERTER
59	82008125	PEDAL CONTROL SPRING
60	83032471	BRACKET
61	84593992	CROUZET MICROSWITCH
62	83032472	1ST SPEED CAM
63	83032473	SPACER
64	83032474	2ND SPEED CAM
65	84395156	SCREW TCEI M 3x16
66	84396382	SCREW 3x25
67	84399299	SCREW 6x30
68	84399893	SELF-LOCKING NUT M6
69	84395583	SCREW M6x60
70	84395456	NUT M 6
73	84199843	SILENCER OUTLET REGULATOR 1/8"
74	83007953	BUSH 18x12,5x21
76	83006879	SPACER
77	84399946	SCREW 8x16

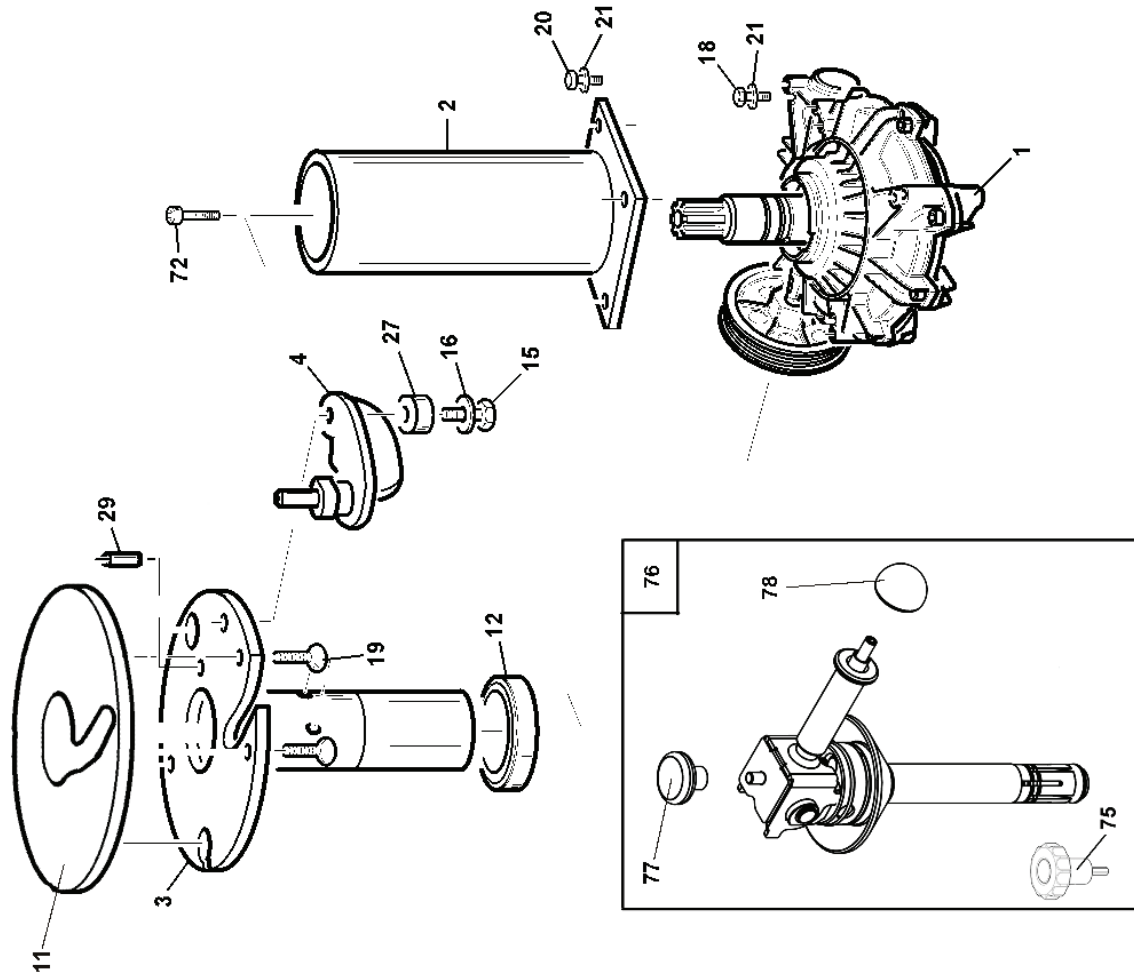
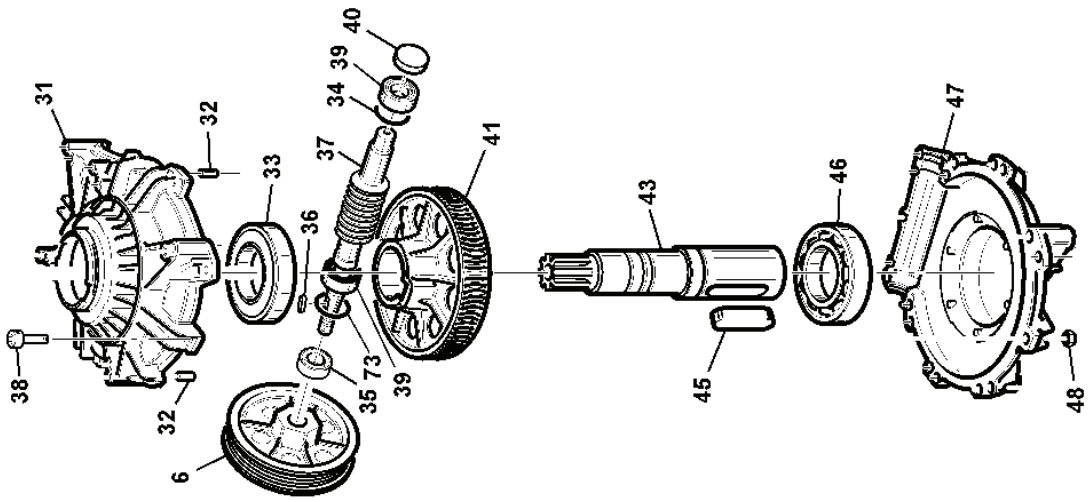
Wheel Lift Assembly



Wheel Lift Assembly

Item	Part No.	Description
1	82041791	CYLINDER
2	83041792	LINER
3	83041800	SPECIAL SCREW
4	83041793	ROD
5	82141794	FLANGE REAR
6	84198618	UNION 6522 1/8"
7	83034901	FLANGE FRONT
8	83199599	SEEGER RING D.30
9	84398146	STEEL SHIM
10	83199601	SCRAPER RING
12	84397678	FLANGED NUT M8
13	84398753	WASHER
14	84293965	ORING 3325 82,22X2,62
15	84193964	PISTON
16	84399865	SELF-LOCKING NUT M12
17	87040897	LIFT PLATFORM
18	87040896	LIFT ARM
19	87040890	LIFT PROTECTION
20	87036701	CONNECTING ROD
21	84399967	NUT M10
22	84399971	SELF-LOCKING NUT M10
23	84395235	SCREWTBEI 12x25 10.9 UBK
24	84398637	WASHER
25	83019969	BUSH
26	83017334	BUSH
27	83037181	SLIDE
28	84398672	SCREWTSPEI M 6x16 10.9 ZNT
29	84399889	NUT
30	87040887	LIFT BASE
31	87039143	PEDAL COVER
32	87041304	PEDAL PROTECION
33	84398723	SCREW 6x12
34	82036377	LIFT VALVE
40	84399299	SCREW 6x30
41	83036283	PIN
42	83036284	PIN
43	84399434	SCREW 12x20
44	83036408	SPACER
45	87040963	LIFT SPACER
46	87040962	LIFT PLATE
47	84399861	SCREW 8x35
48	84399829	WASHER
49	84399865	NUT
50	84399864	SEEGER RING D.12
51	82036399	CYLINDER SEALS SET
52	83041391	INFLATOR SHORT ROD
61	84394942	SCREW 12x35
62	84292997	FAIRLEAD PVC
63	83017302	BUSH
64	84396349	SCREW 12x30
65	84398582	SCREW 12x25
66	83014633	SPACER V.233-TEKNOFORM AH100/2
67	84399933	SCREW 10x50
68	84399378	WASHER D.10

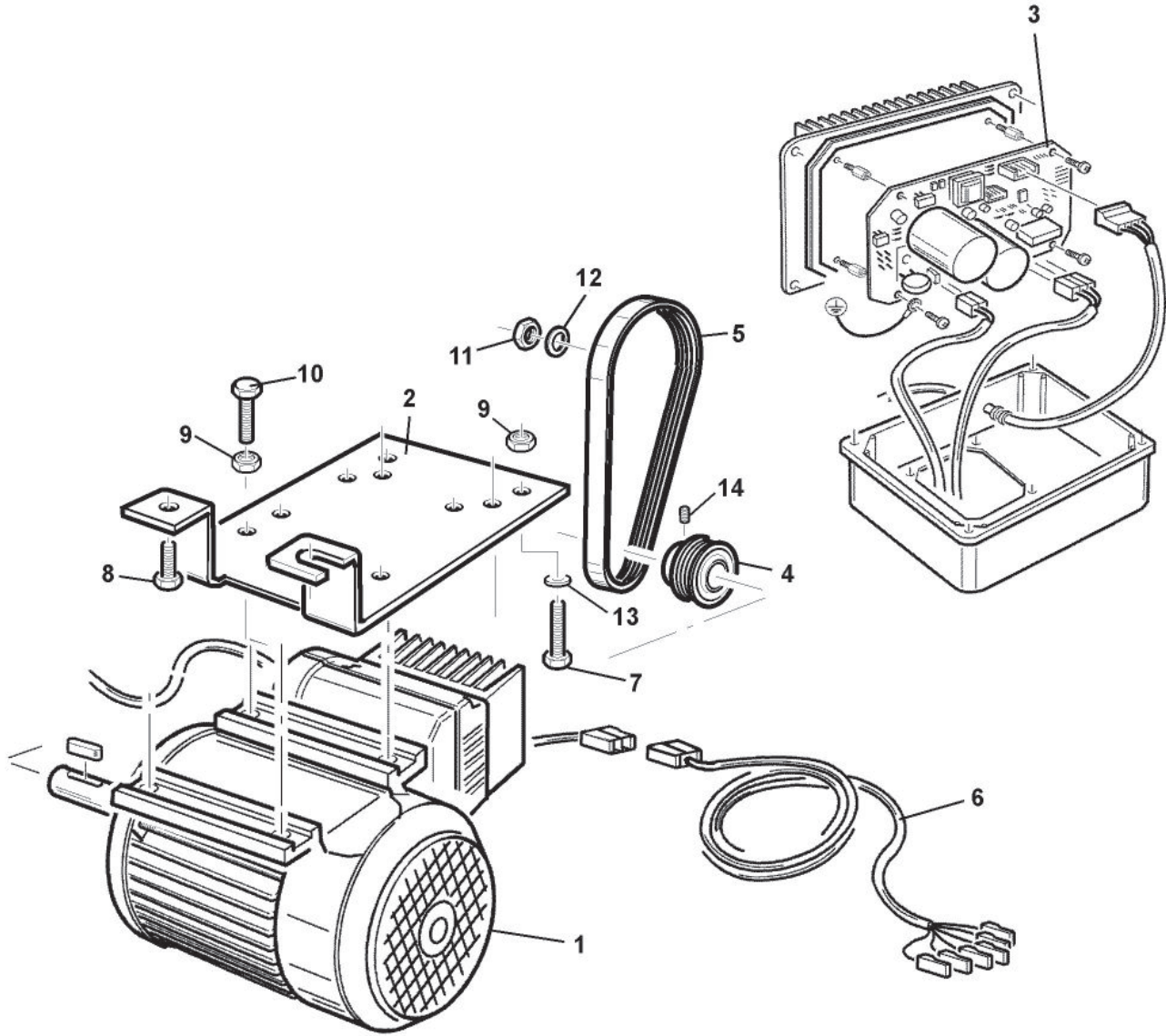
Center Post Assembly



Center Post Assembly

Item	Part No.	Description
1	82033133	REDUCTION GEAR FOR PNEUM. S.
2	87018063	CHUCK SUPPORT
3	82133266	QUICK HAND CHUCK
4	82131342	ANTIROTATION DEVICE
6	83010863	GEARBOX PULLEY
11	83031339	ADAPTOR FLANGE
12	84296945	BEARING 60X110X22
15	84398582	SCREW 12x25
16	84398637	WASHER 12X21X2.5
18	84399933	SCREW 10x50
19	84399120	SCREW 10x20
20	84399877	SCREW 10x60
21	84399378	WASHER 10
27	83000108	CONNECTING ROD SPACER
29	83199580	ELASTIC PIN D.8x20
31	83010872	GEAR BOXTOP COVER
32	84396940	PARALLEL PIN 8x20
33	84296945	BEARING
34	84399974	STEEL SHIM 20,5x28x0,5
35	84296944	BEARING
36	84396947	TAB 6X6X18
37	83010883	WORM SCREW
38	84399134	SCREW 8x30
39	84296944	BEARING
40	83010886	SEALING CAP
41	83010884	HELICAL GEAR
43	83010916	ASHORT SHAFT
45	84396948	TAB 16X10X70
46	84296910	BEARING 60X110X22
47	83010873	BOX
48	84399900	SELF-LOCKING NUT M8
52	83018675	RING NUT
53	83018673	CHUCK SCREW
54	84398783	ELASTIC PIN D.4x24
59	82018674	RING NUT
60	82031195	SHAFT UNIT + ELASTIC PIN
72	84393981	SCREWTCEI M 16x1,5x50
73	84294205	SEAL D.40X35X4
75	82041474	SCREW ADJUSTMENT
76	82045286	SMART LOCK GROUP
77	86241543	MUSHROOM-SHAPED HANDLE - RED
78	87041544	ROUND KNOB

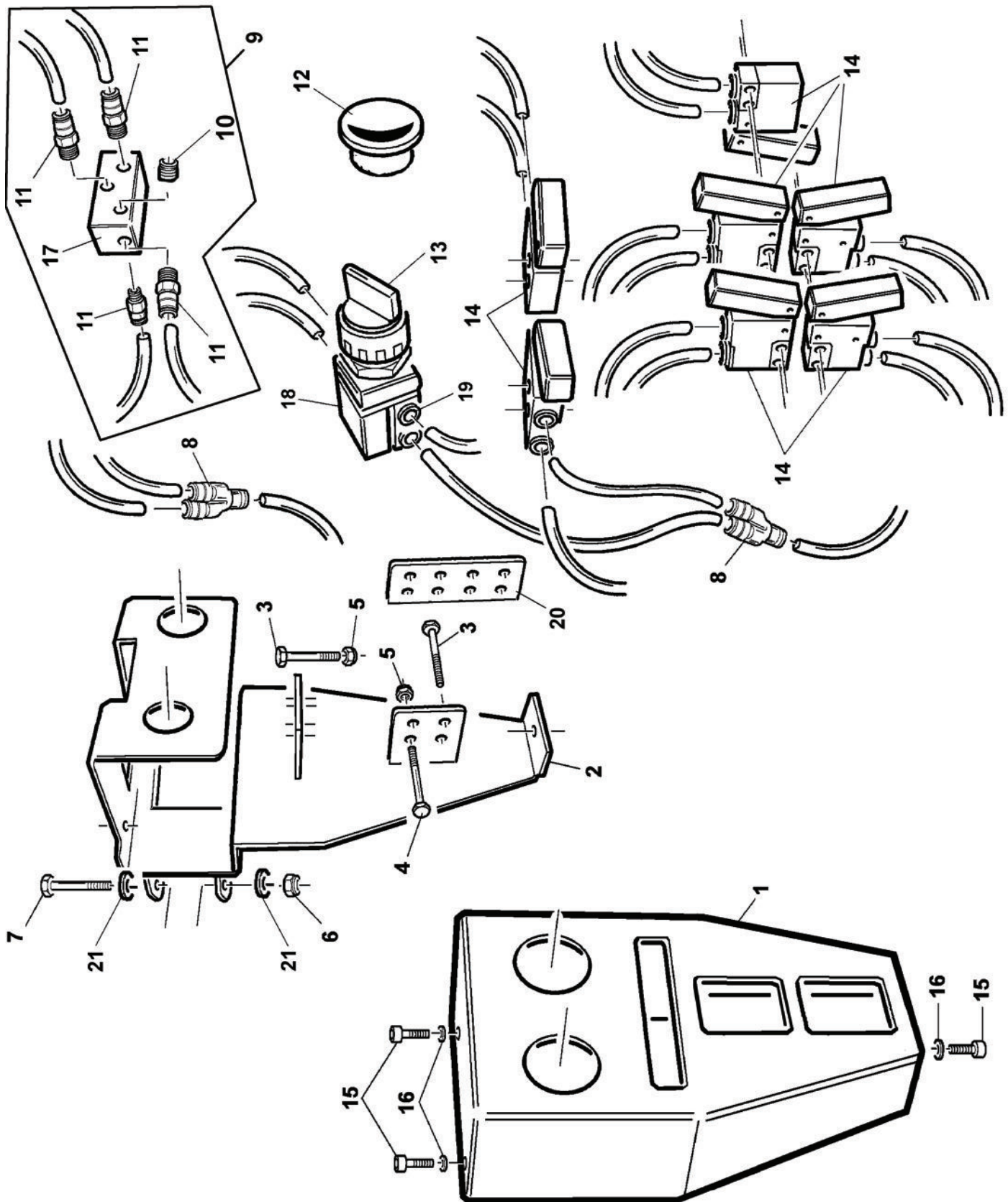
Motor Assembly



Motor Assembly

Item	Part No.	Description
1	84592868	MOTOINV.200/240 1PH50/60HZ
2	83031102	MOTOR SUPPORT
3	84592817	ELECTRONIC BOARD
4	83019468	MOTOR PULLEY
5	84293871	BELT
6	82037840	CHUCK SIGNAL CABLE
7	84399951	SCREW 10x35
8	84399966	SCREW 10x20
9	84399967	NUT M10
10	84399786	SCREW 10x30
11	84396941	NUT M14
12	84398807	WASHER 14
13	84399829	WASHER 8
14	84392760	SCREW 5x14

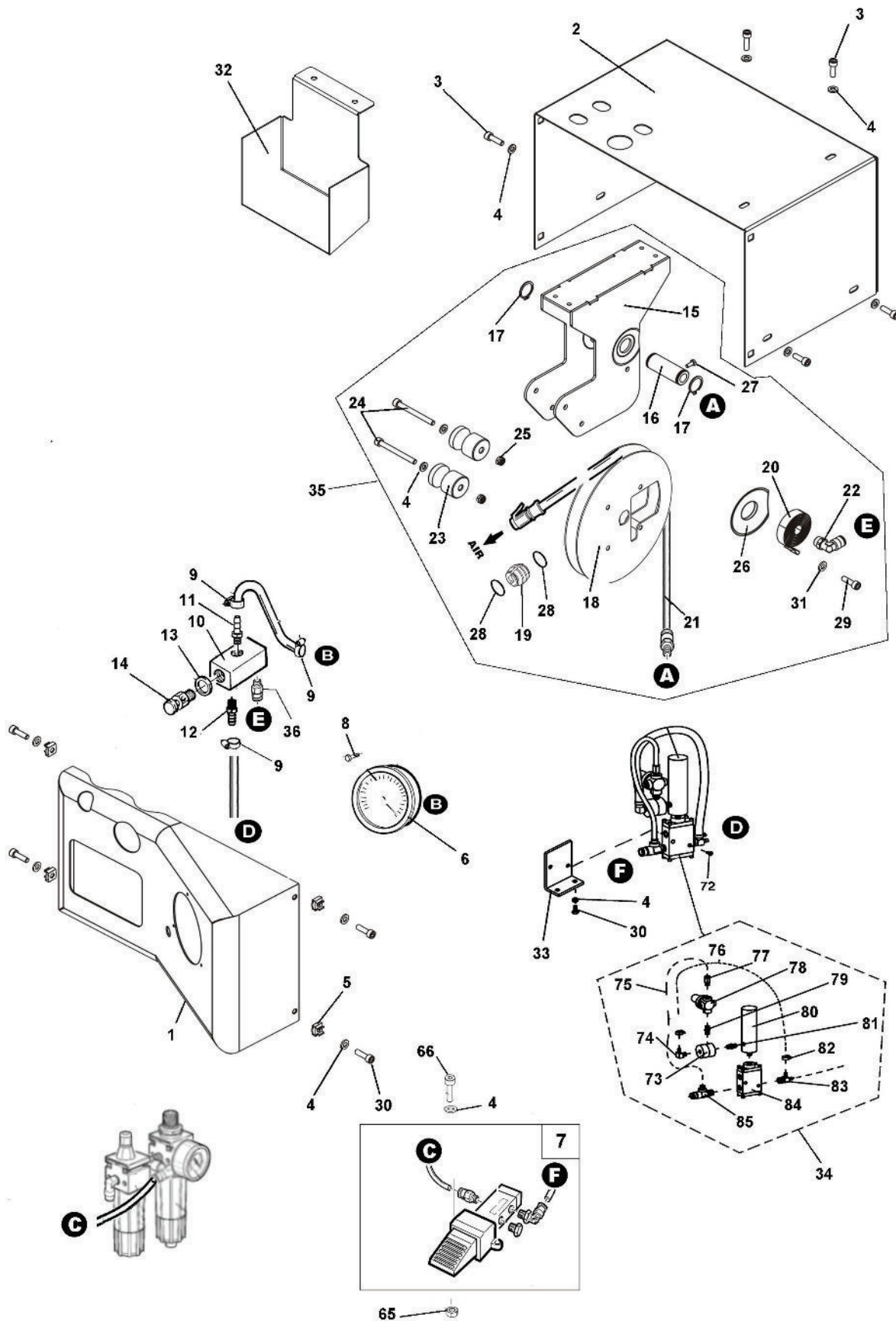
Control Panel Assembly



Control Panel Assembly

Item	Part No.	Description
1	87032876	COVER
2	87032872	MAIN FRAME
3	84399897	SCREW 4x25
4	84397513	SCREW 4x45
5	84396106	NUT M4
6	84399900	NUT M8
7	84396467	SCREW 8x60
8	84197293	Y-UNION D.4
9	82041010	CONSOLE AIR UNIT
10	84192419	PLUG
11	84197742	QUICK UNION 1/8"
12	84293463	ABS PLUG
13	84193996	SELECTOR
14	84194001	VALVE
15	84399300	SCREW 6x12
16	84399998	WASHER 6
17	83019473	AIR VALVE
18	84193999	VALVE
19	84194000	VALVE
20	83032875	PLATE
21	84399829	WASHER

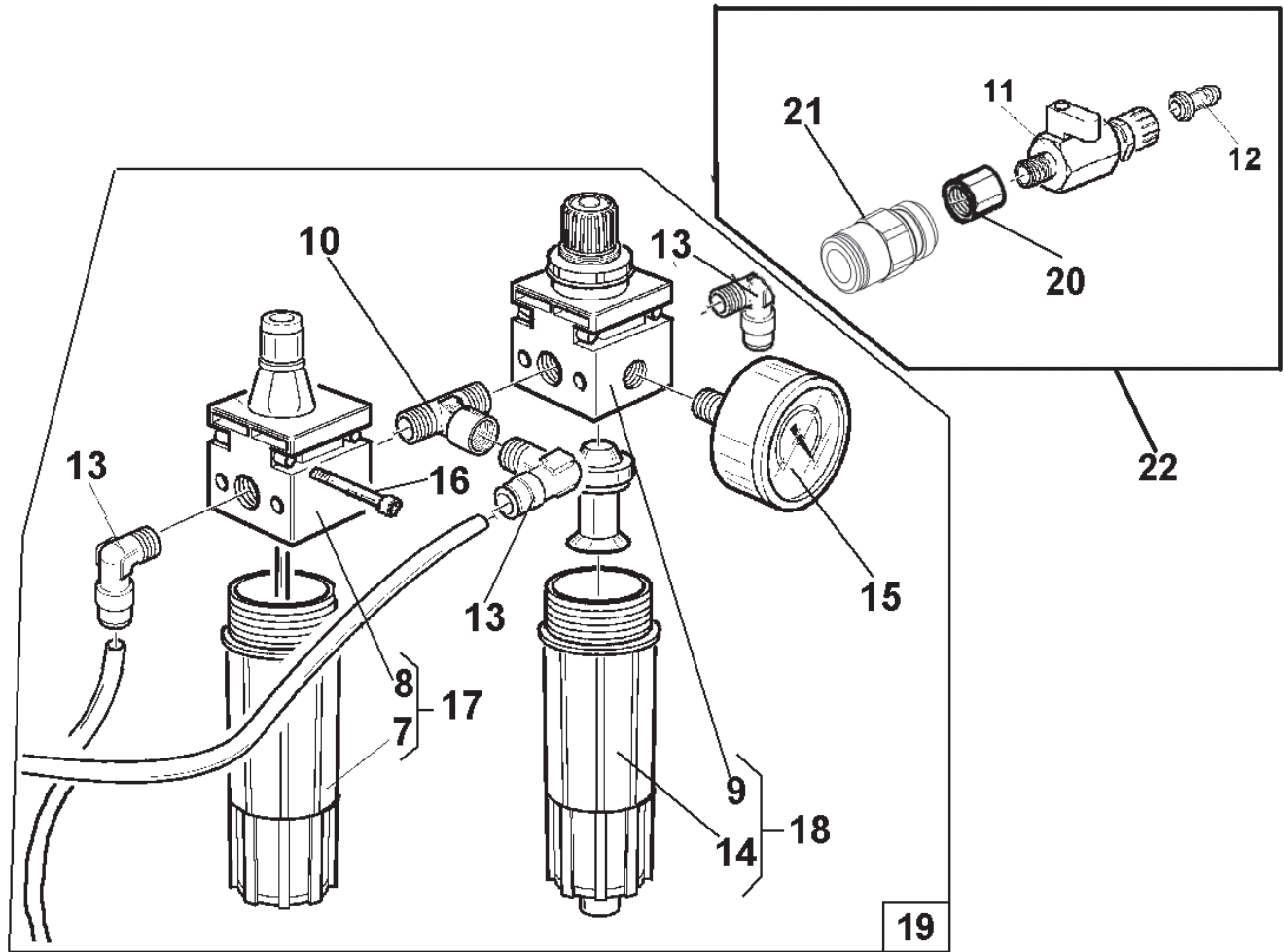
Inflation Panel Assembly



Inflation Panel Assembly

Item	Part No.	Description
1	87041387	INFLATOR METAL COVER
2	87040923	INFLATE BOX
3	84397098	SCREW 6x16
4	84399998	WASHER
5	84395470	NUT
6	84197428	PRESSURE GAUGE D.93
7	82035818	PEDAL
8	84399038	SCREW 4x8
9	84197390	CLAMP D.8x13 H9
10	83002353	DISTRIBUTION FRAME
11	84198766	CONNECTION 1/8"
12	84199026	CONNECTION 1/4"
13	84196920	NYLON WASHER 1/4"
14	84299354	RELIEF PUSHBUTTON
15	82140939	SUPPORT
16	83040938	PIN
17	84399975	SEEGER RING D.20
18	82140935	WINDER
19	83041200	WINDER STOP
20	83040934	SPRING
21	82035260	UNIT HOSE L=1400
22	84198578	UNION 1/4"
23	83041006	ROLLER
24	84395583	SCREW 6x60
25	84399893	NUT
26	84198578	UNION 1/4"
27	84394022	SCREW 4x10
28	84299168	OR RING
29	84399954	SCREW 8x20
30	84399300	SCREW 6x12
31	84399829	WASHER
32	85941376	INTERNAL PLATE
33	83008992	SUPPORT
34	82008887	PRESSURE REGULATOR
35	82042184	COILER ASSEMBLY
36	84198884	QUICK UNION 1/4"
65	84399893	NUT
66	84399999	SCREW 6X25 8.8 ZNT 5739
73	84194062	PAWL FOR REGULATOR
74	84194053	FITTING-90 DEG. MALE ELBOW
75	8182037	NYLONTUBE 1/4" OD X 10" LG.
76	83019252	Ø1/4" X 12" HOSE
77	84194055	MALE ST FIT. 1/8 NPT X 1/4 TUBE
78	84194060	REGULATOR
79	84194054	1/8" INLINE FILTER
80	84194063	VOLUMN CHAMBER
81	84194059	1/8" BRASS HEX NIPPLE
82	8101428	HOSE CLAMP-1/4 ID HOSE
83	84194057	1/4" NPT MALE RUNTEE
84	84194061	VALVE-PILOTED
85	84194058	SPL TEE=1/4 NPT X 3/8 X 1/4 TUBE

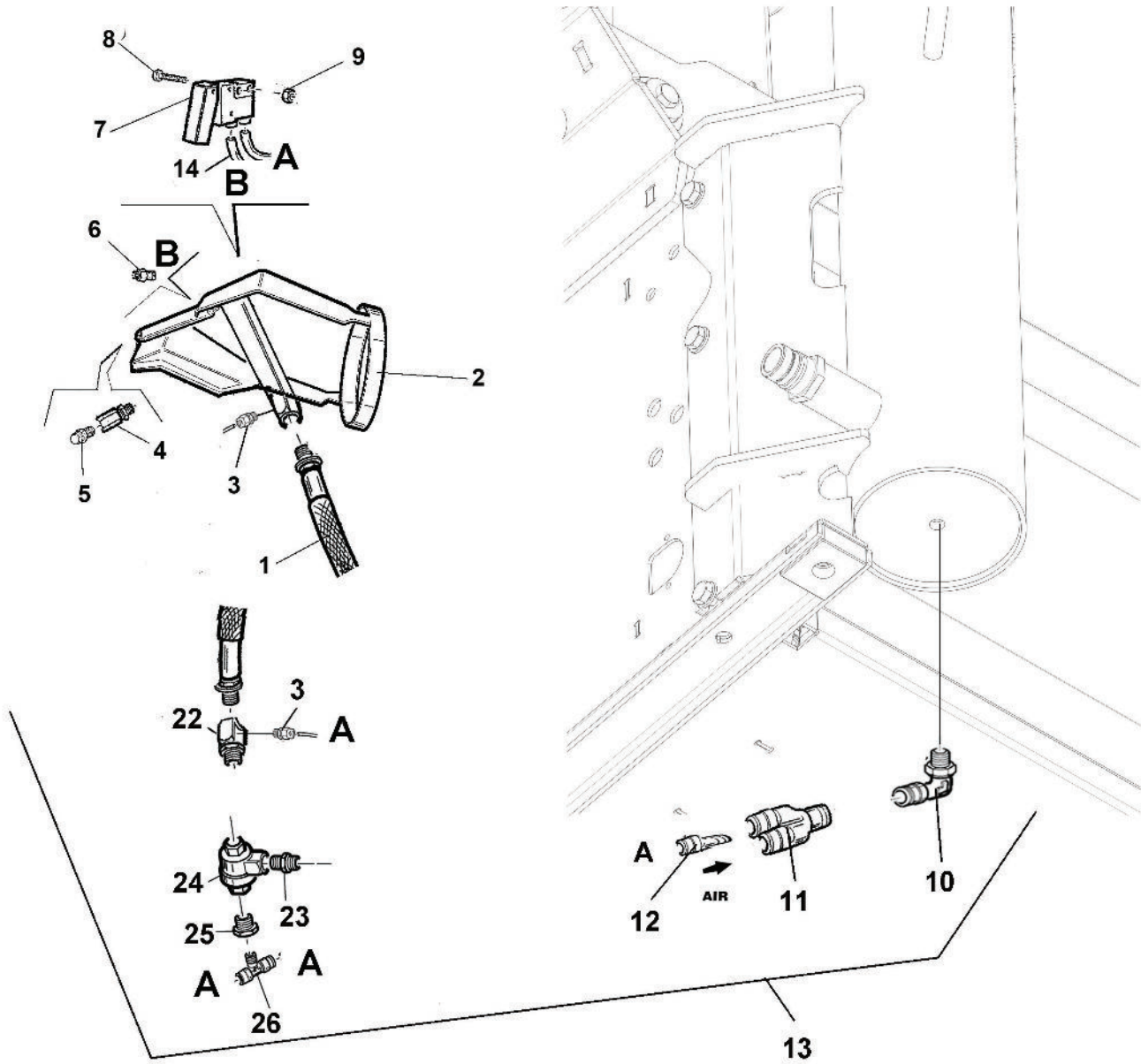
Filter Lubricator Assembly



Filter Lubricator Assembly

Item	Part No.	Description
7	84196316	LUBRICATOR TANK
8	84196315	LUBRICATOR BODY
9	84196313	FILTER BODY
10	84198973	TEE FITTING
11	84196354	VALVE-SHTFF, MVS, 2901, DE, 1/4
12	84199987	FITTING-INLT, AIR
13	84198883	ELBOW FITTING, 90, 1/4NPT
14	84196314	FILTER TANK
15	84298308	PRESSURE GAUGE
16	84396593	SCREW-M4X40
17	84196481	LUBRICATOR-AIR
18	84196480	FILTER-AIR, W/ GAUGE, ASSEMBLY
19	82041007	AIR FILTER REGULATOR
20	84198803	FITTING-RDCR, 1/4-1/8
21	84198884	QUICK UNION 1/4"
22	82041013	AIR INTAKE UNIT

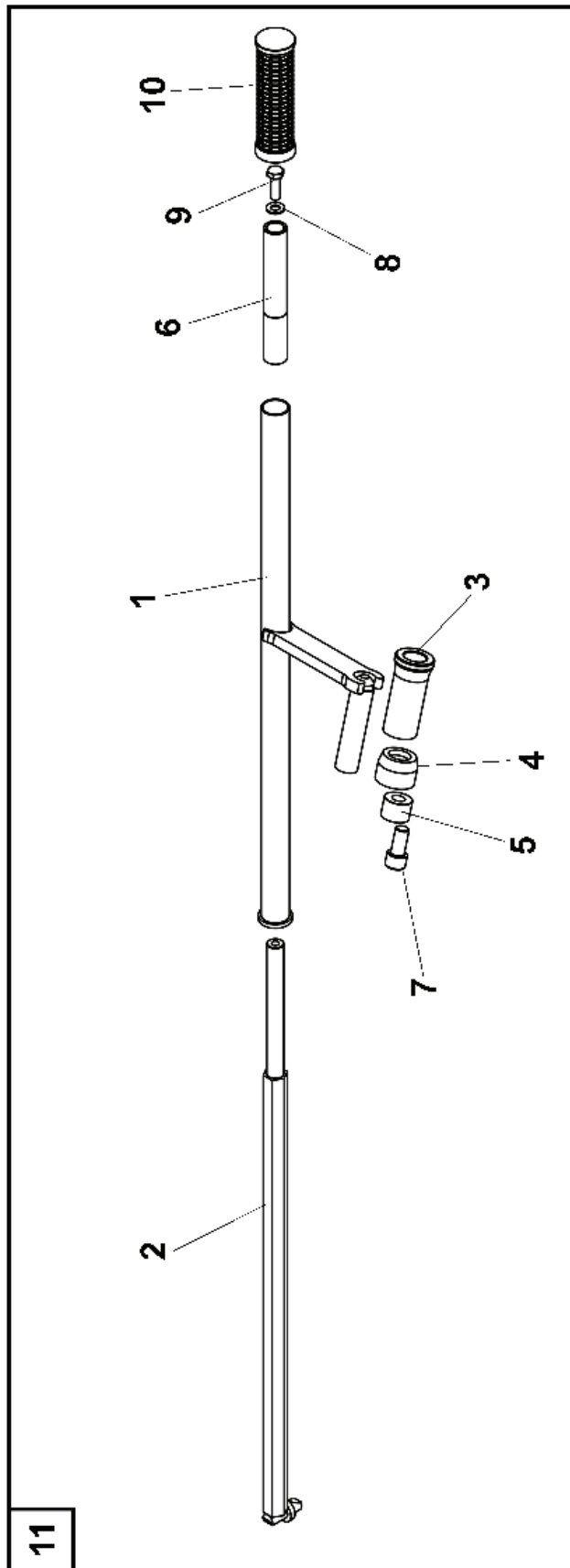
Inflation Barrel Assembly



Inflation Barrel Assembly

Item	Part No.	Description
1	83036231	INFLATING BARREL - COMPL
2	82136220	INFLATOR HANDLE
3	84593033	CABLE FASTENER
4	83036445	EXTENSION M-F 1/4 HOLE M5
5	82037816	RELIEF PUSHBUTTON
7	84194001	VALVE
8	84399897	SCREW
9	84396106	NUT
10	84192639	UNION
11	84197193	UNION
12	84193434	UNION
13	89241008	INFLATE KIT
14	83036627	HOSE
22	83036229	UNION M-F 3/4 + M12
23	84195040	REDUCTION 2530 1"-3/4"
24	84194613	QUICK RELIEF VALVE 3/4" F/F
25	84194313	REDUCTION 3/4" M-1/4" F
26	84194314	QUICK UNION "T" 1/4" / 4
28	84198954	UNION

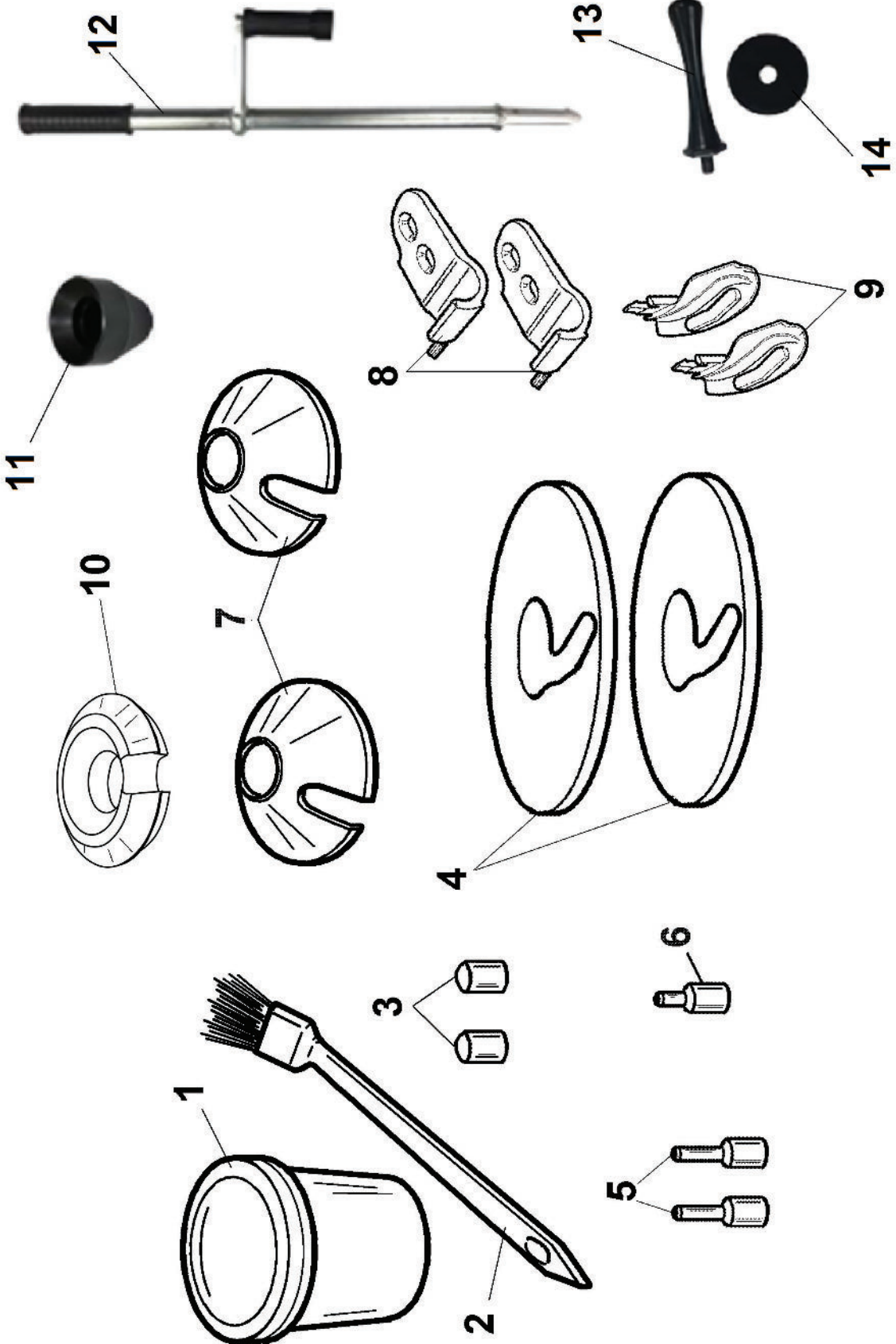
Bead Depressor Arm Assembly



Bead Depressor Arm Assembly

Item	Part No.	Description
1	82137681	ADDITIONAL BEAD DEPRESSOR ARM1
2	82137686	ADDITIONAL BEAD DEPRESSOR ARM2
3	83037693	ARM ROTATION PLASTIC BUSHING
4	83037692	ARM PLASTIC BUSHING
5	83037691	ARM PLASTIC BUSHING GUIDE
6	83037690	ADDITIONAL BEAD DEPRESSOR BUSHING
7	84396358	SCREW TCEI 12x25 8.8
8	84399829	WASHER 8 (8,4x16x1,5)
9	84399935	SCREW 8X25
10	84297035	PVC HANDLE D.32
11	82037694	ADDITIONAL BEAD DEPRESSOR ASSEMBLY

Accessories



Accessories

Item	Part No.	Description
1	83008610	TIRE LUBE
2	84296517	BRUSH
3	843019971	PIN PROTECTION
4	83031347	CHUCK PROTECTIVE CAP
5	83031335	EXTENSION PIN L=72
6	83032133	EXTENSION PIN L=33
7	83019057	CONE PROTECTION
8	83033278NE	C FRONT PROTECTION - NEUTRAL
9	83019305NE	TOOL BACK SLIDE - NEUTRAL COLOR
10	83032475	CONE 75-145
11	83040730	CONE 70 MM
12	82037694	MANUAL BEAD DEPRESSOR
13	83036383	PIN
14	83040636	DISC

NOTES

NOTES

